

Ma & Pa standard-gauge bobber caboose in 1:29 scale

Illustrations by Steve Terry

[redrawn from the May 1945 issue of *Model Railroader* magazine]

This Maryland & Pennsylvania Railroad four-wheel bobber caboose was originally built by the Pennsylvania Railroad. These little standard-gauge cabooses, known for rough riding, were produced in large numbers and were used primarily on eastern railroads before 1900. Despite its small size, the caboose could supply sleeping quarters for six by means of swing-down bunks. The conductor did his paperwork at a small, stand-up desk. A wood-burning stove was supplied for crew comfort.

The body, cupola, and sides and ends of the platforms of the car were painted bright red. The canvas roof, platform flooring, and all timbers and woodwork below the floor level were painted boxcar red, while all of the iron work, as well as the wheels, was painted black.

Drawings are full size for 1:29 scale

Are you working in a different scale?

If you're not working in 1:29 scale, print the drawings out at the percentage given below for your scale.

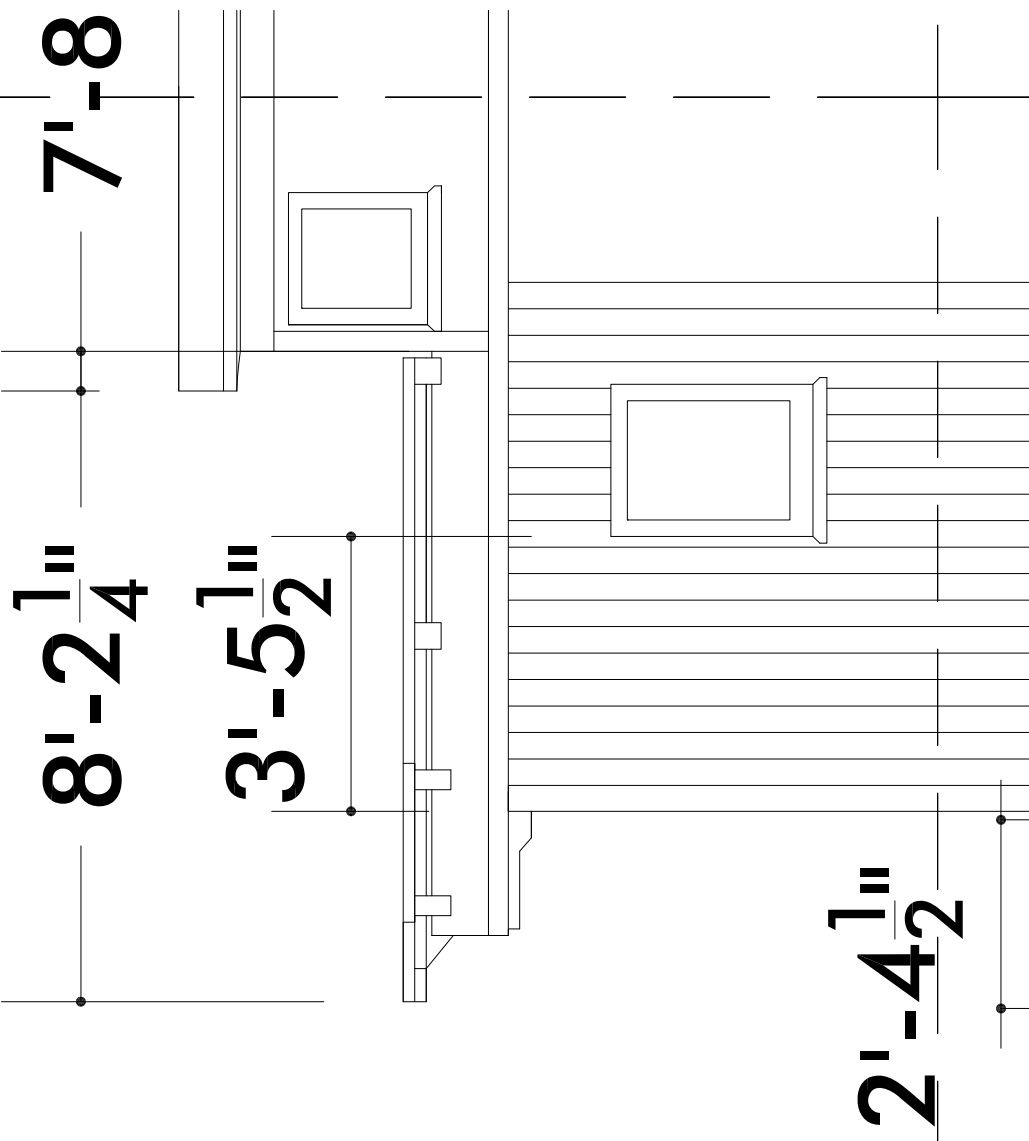
1:32 scale	91%
1:24 scale	121%
1:22.5 scale	129%
1:20.3 scale	143%



Steve Terry's blog

Steve Terry, who does these drawings for *Garden Railways*, has his own blog, much of which has to do with his beautiful work. Check it out: <http://trippete.blogspot.com/>

FE-1



FE-2

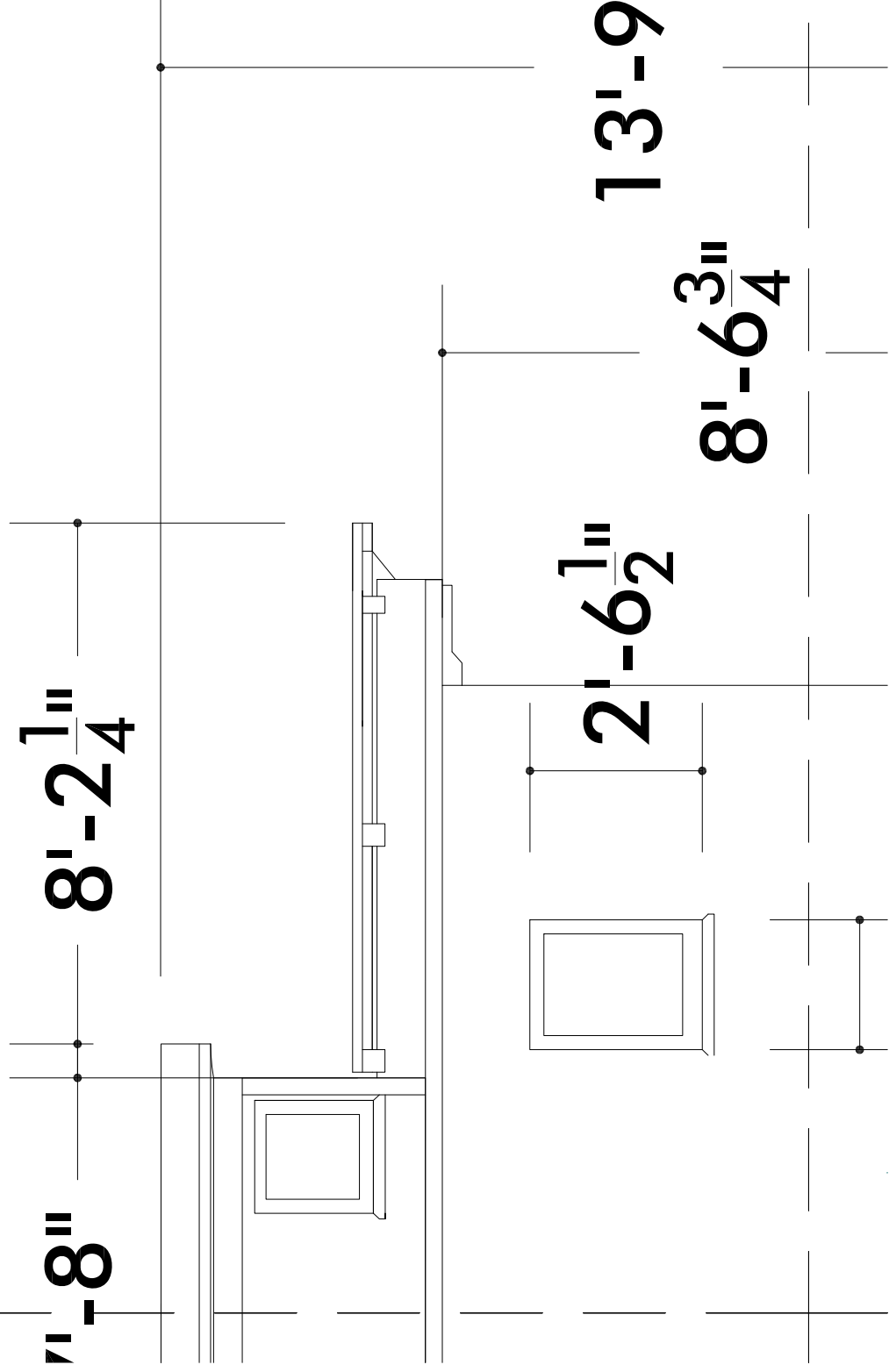
1'-8"

8'-2 $\frac{1}{4}$ "

2'-6 $\frac{1}{2}$ "

13'-9 $\frac{5}{8}$ "

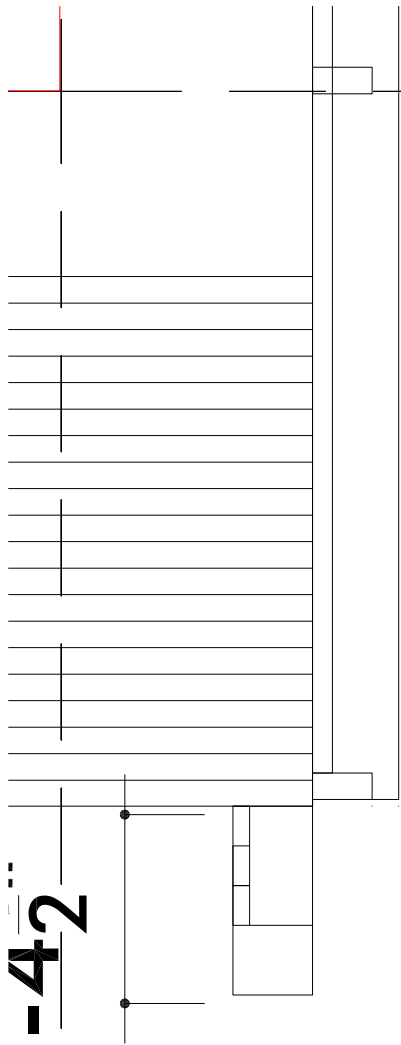
8'-6 $\frac{3}{4}$ "



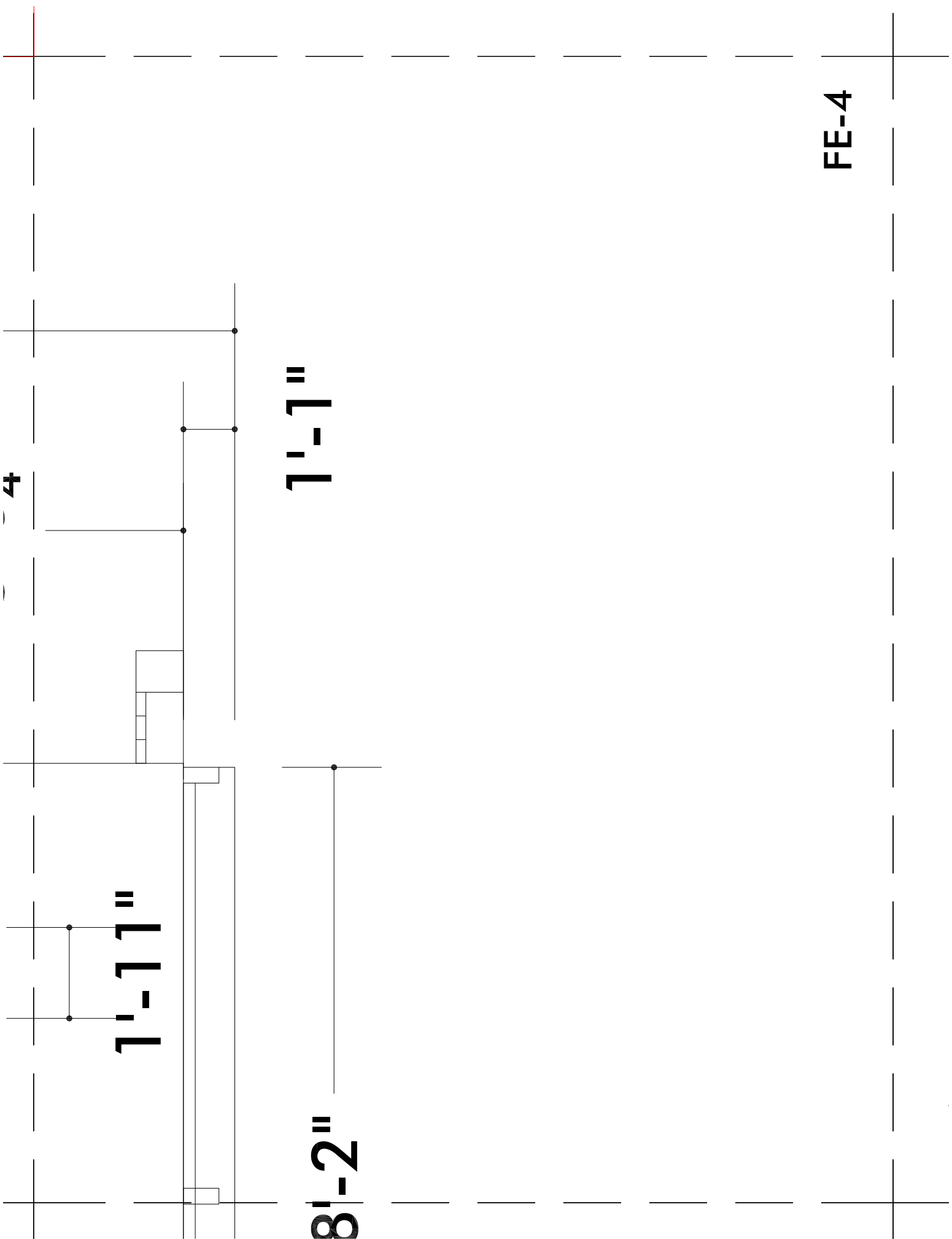
2'-4 1/2"

1'-0"

18'-2"



FE-3



1'-1 1/2"

8'-2"

1'-1"

4"

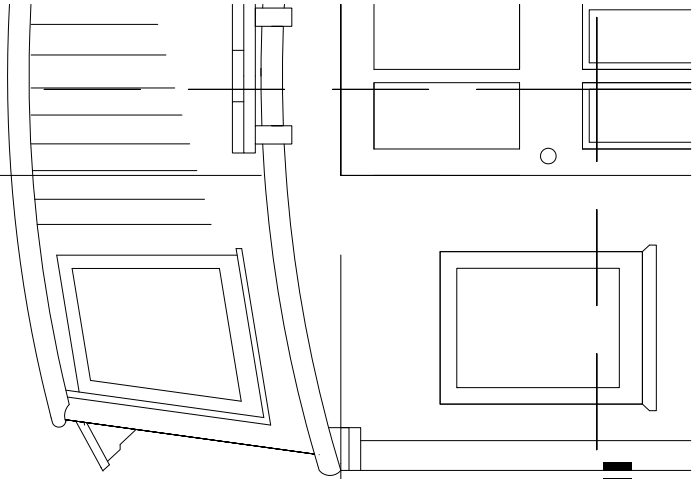
FE-4

END VIEW - 1

2'-6"

7'-6 1/4"

8'-6 1/4"

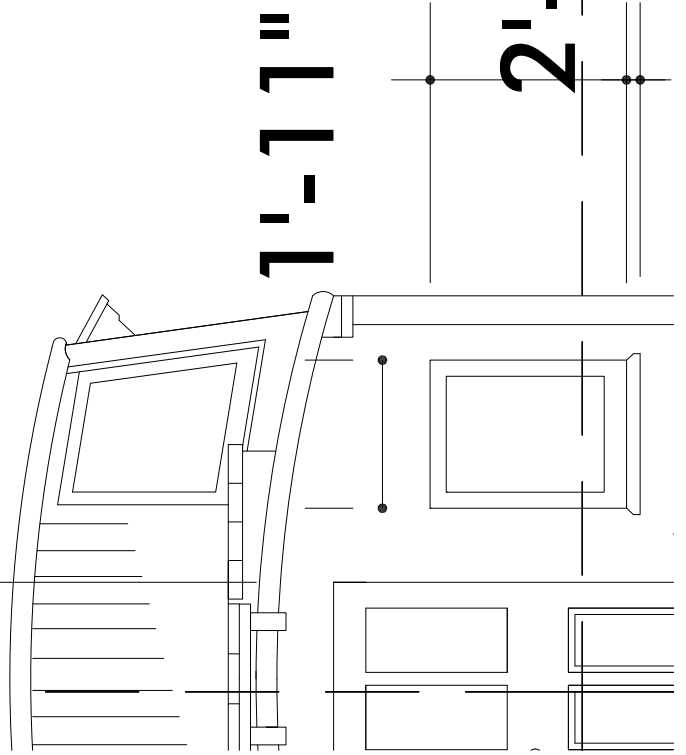


END VIEW - 2

1'-6"

1'-11"

2'-6¹/₂"

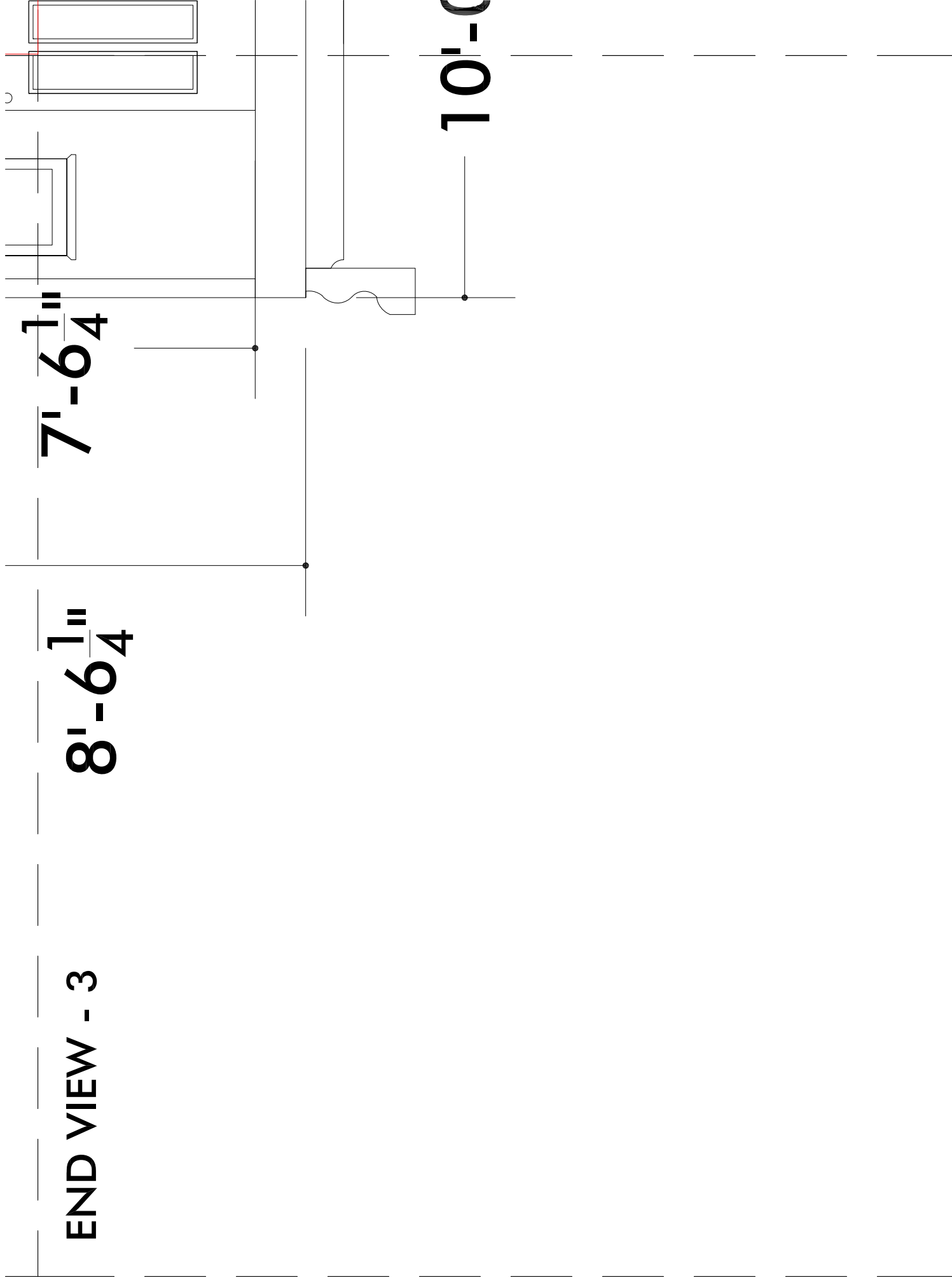


END VIEW - 3

8'-6 $\frac{1}{4}$ "

7'-6 $\frac{1}{4}$ "

10'-0"

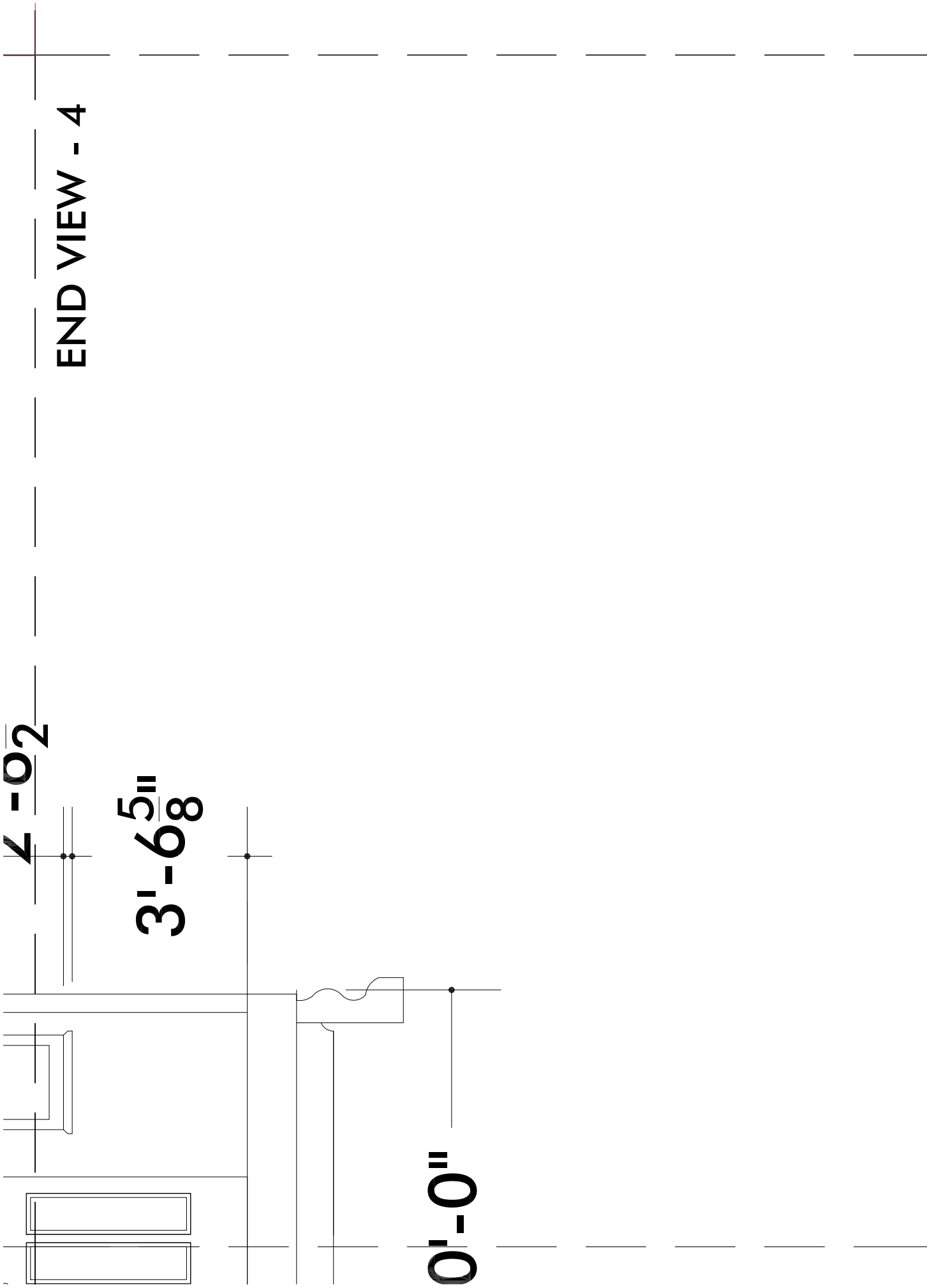


4'-0"

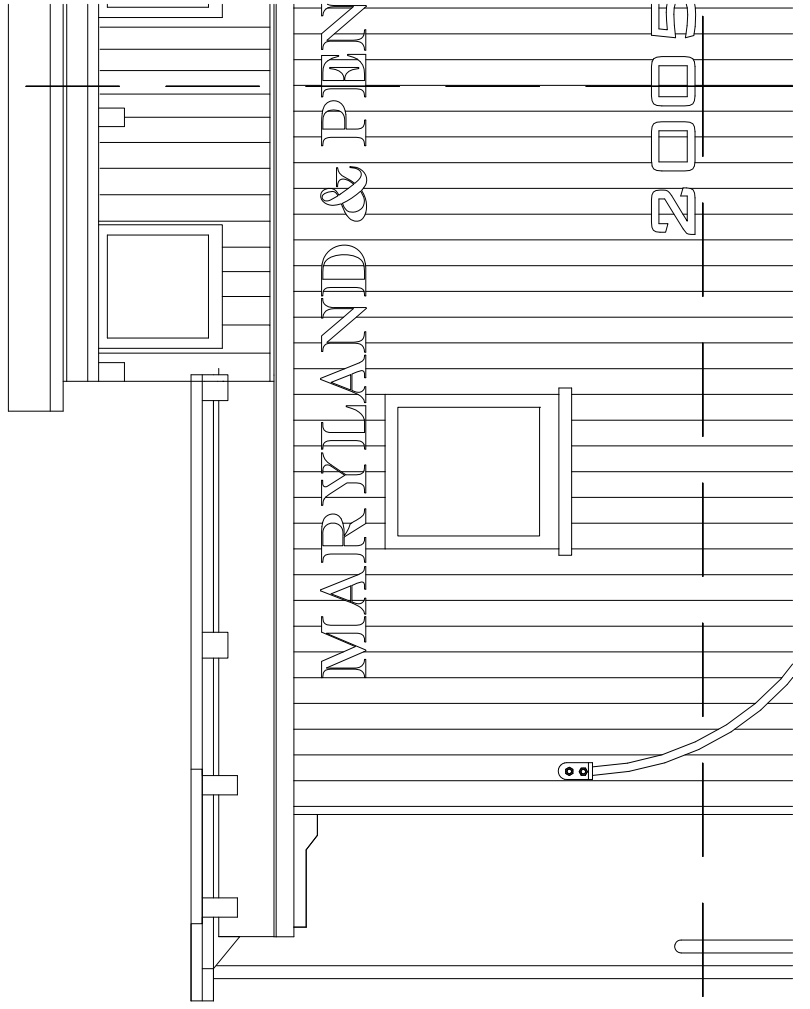
3'-6⁵/₈"

0'-0"

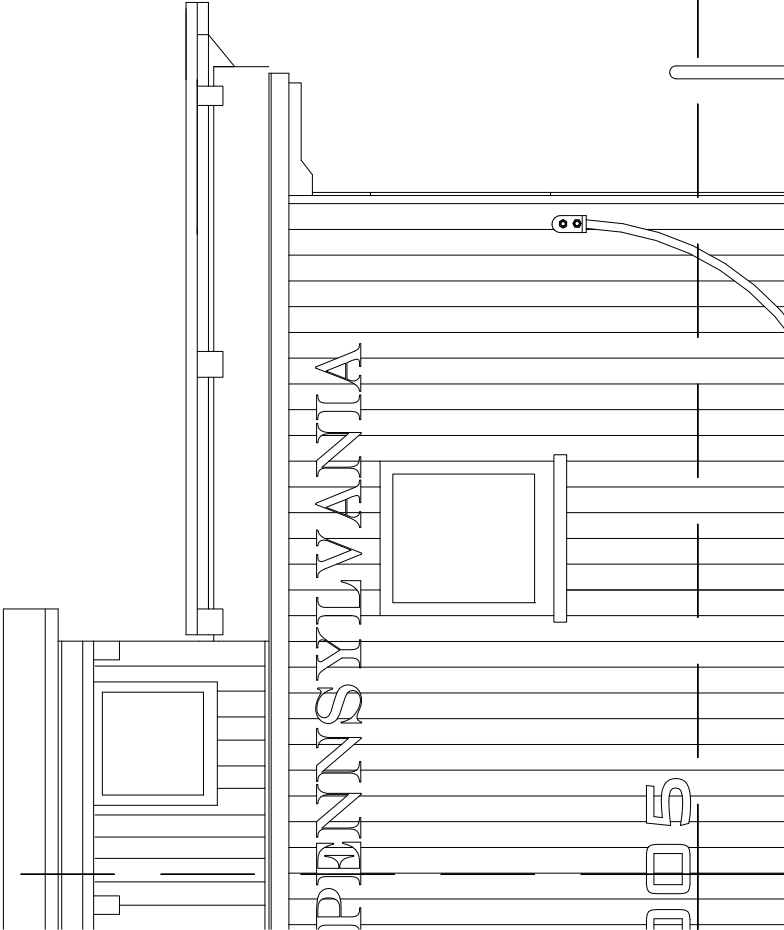
END VIEW - 4

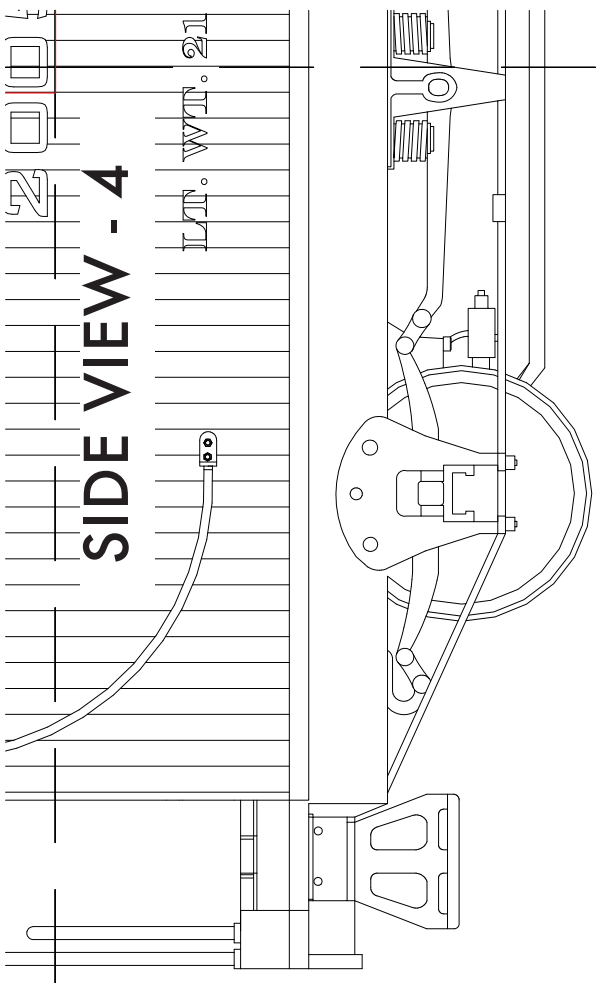


SIDE VIEW - 4



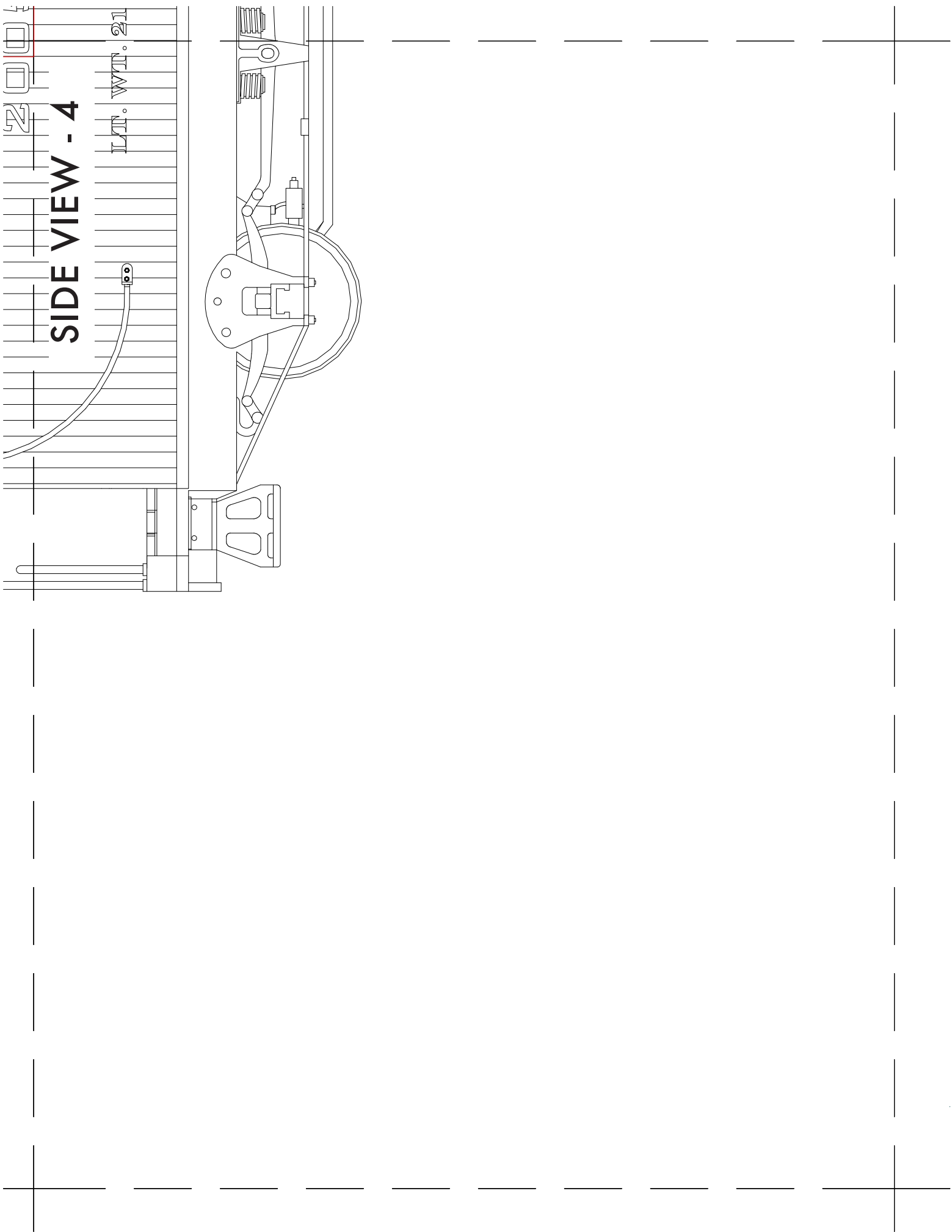
SIDE VIEW - 4





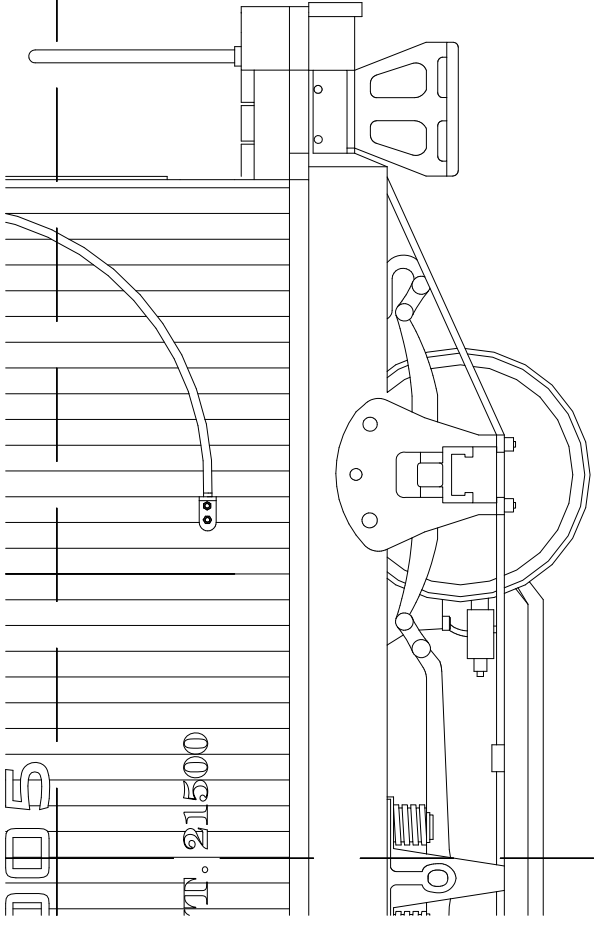
SIDE VIEW - 4

LT. WT. 21



205

TT. 21500



SIDE VIEW - 4