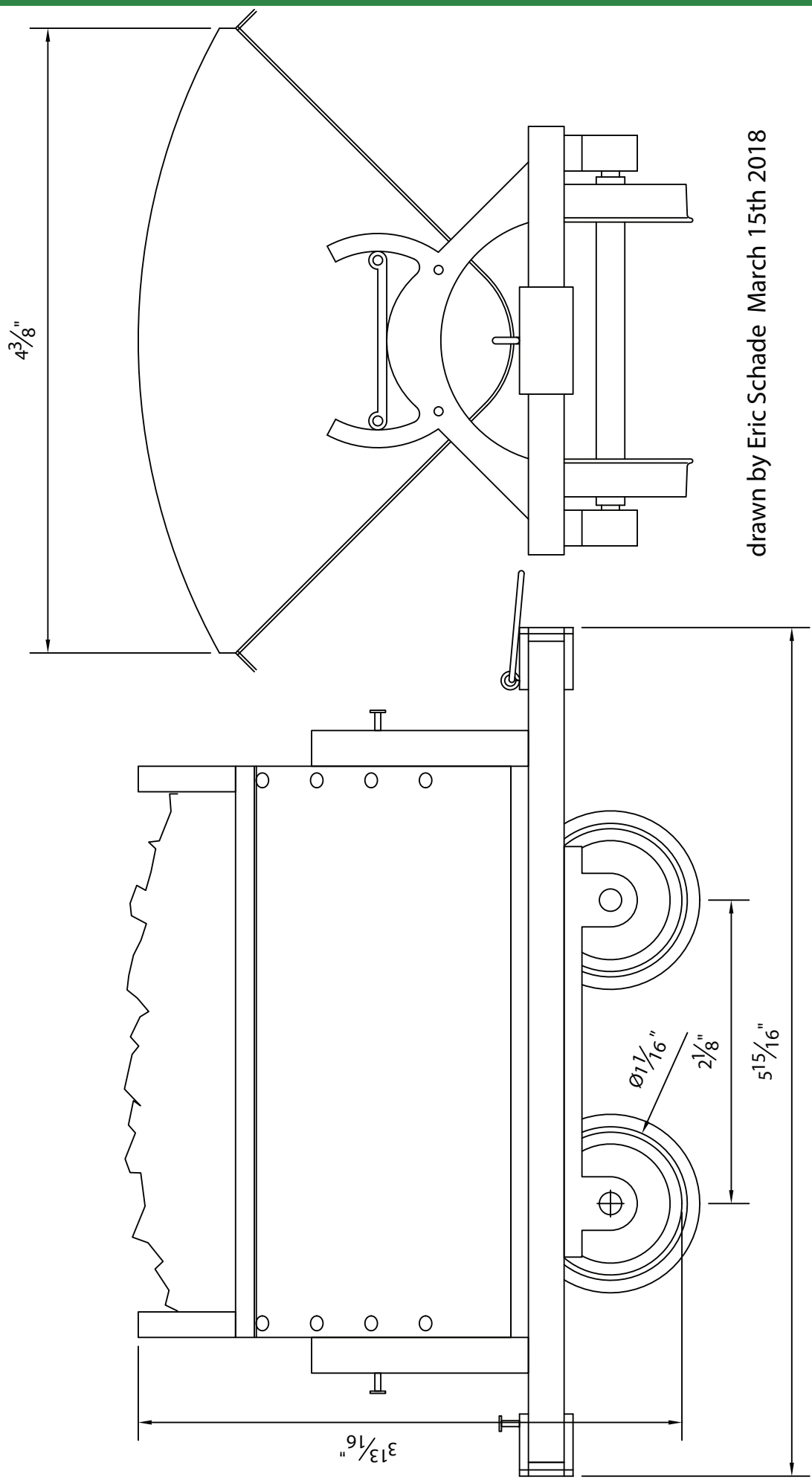


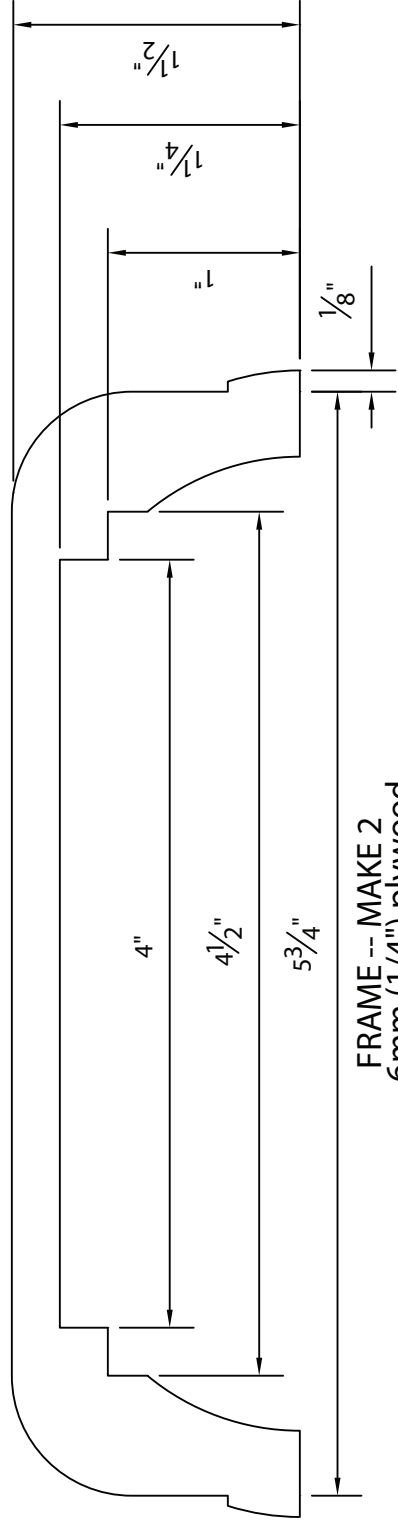
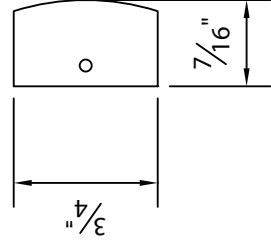
# Build some plywood tipper cars by Eric Schade

# 7/8th" scale 2 foot gauge Koppel Tipper car

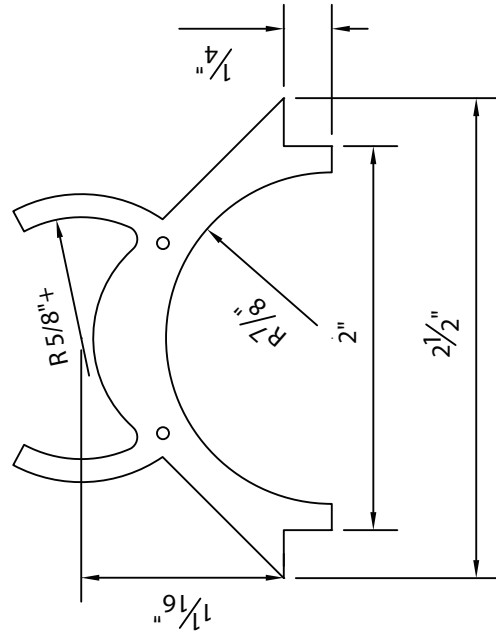


drawn by Eric Schade March 15th 2018

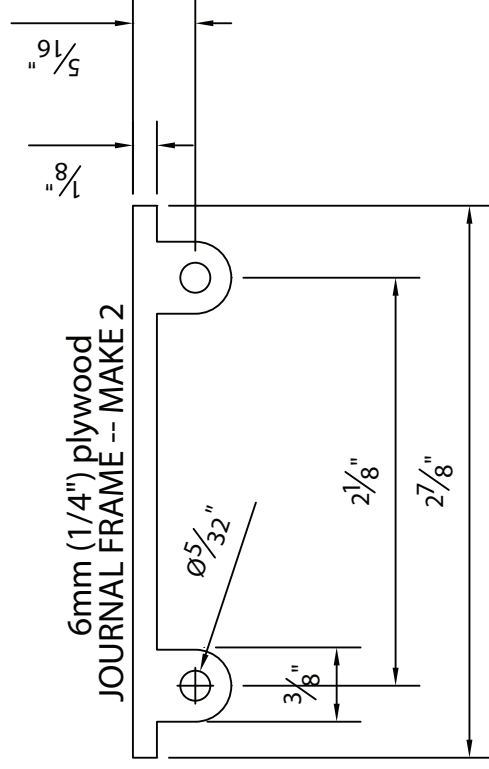
BUFFER BLOCK -- MAKE 4  
1.5mm (1/16") plywood



FRAME -- MAKE 2  
6mm (1/4") plywood



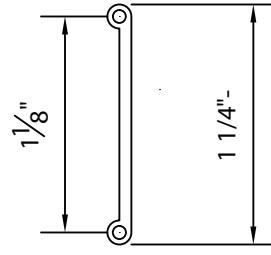
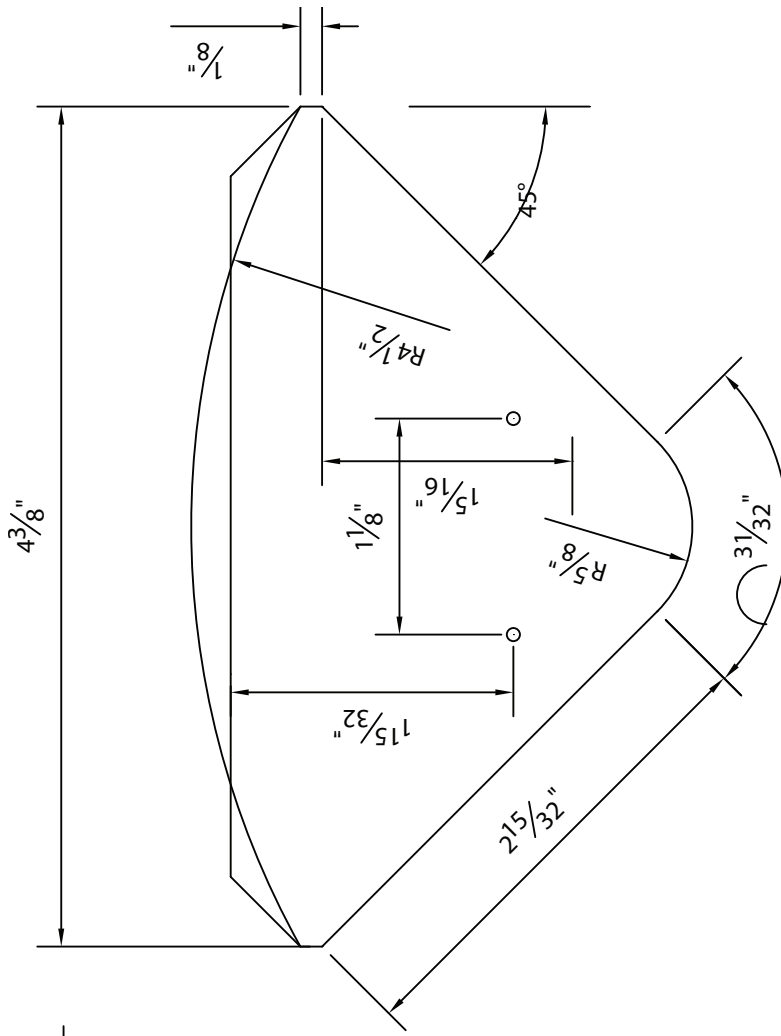
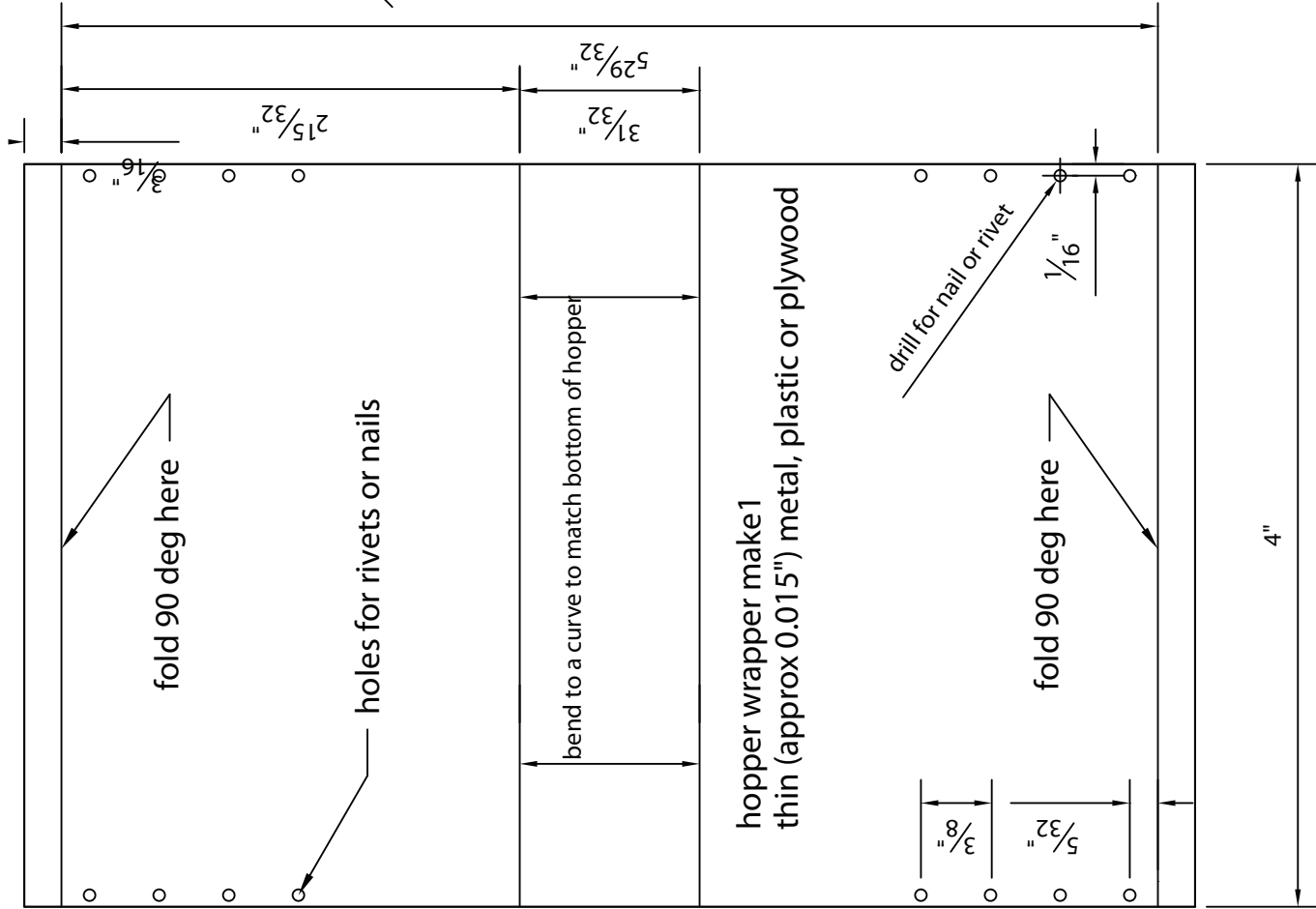
HOPPER BRACKET -- MAKE 2  
6mm (1/4") plywood



6mm (1/4") plywood  
JOURNAL FRAME -- MAKE 2

## 7/8th" scale 2 foot gauge Koppel Tipper car

drawn by Eric Schade March 15th 2018



**7/8th" scale 2 foot gauge Koppel Tipper car**  
 drawn by Eric Schade March 15th 2018