

Build some industrial-railway tank cars

Make two “home built” cars using similar techniques: Project 2

by **Thomas A. Yorke** | Roswell, Georgia | ILLUSTRATION BY THE AUTHOR

Tank Car N° 1 and N° 5

This industrial tank car is drawn to 1:20.3 scale. If you are working in a different scale, resize the drawings as indicated below.

1:32 scale — 63%

1:29 scale — 70%

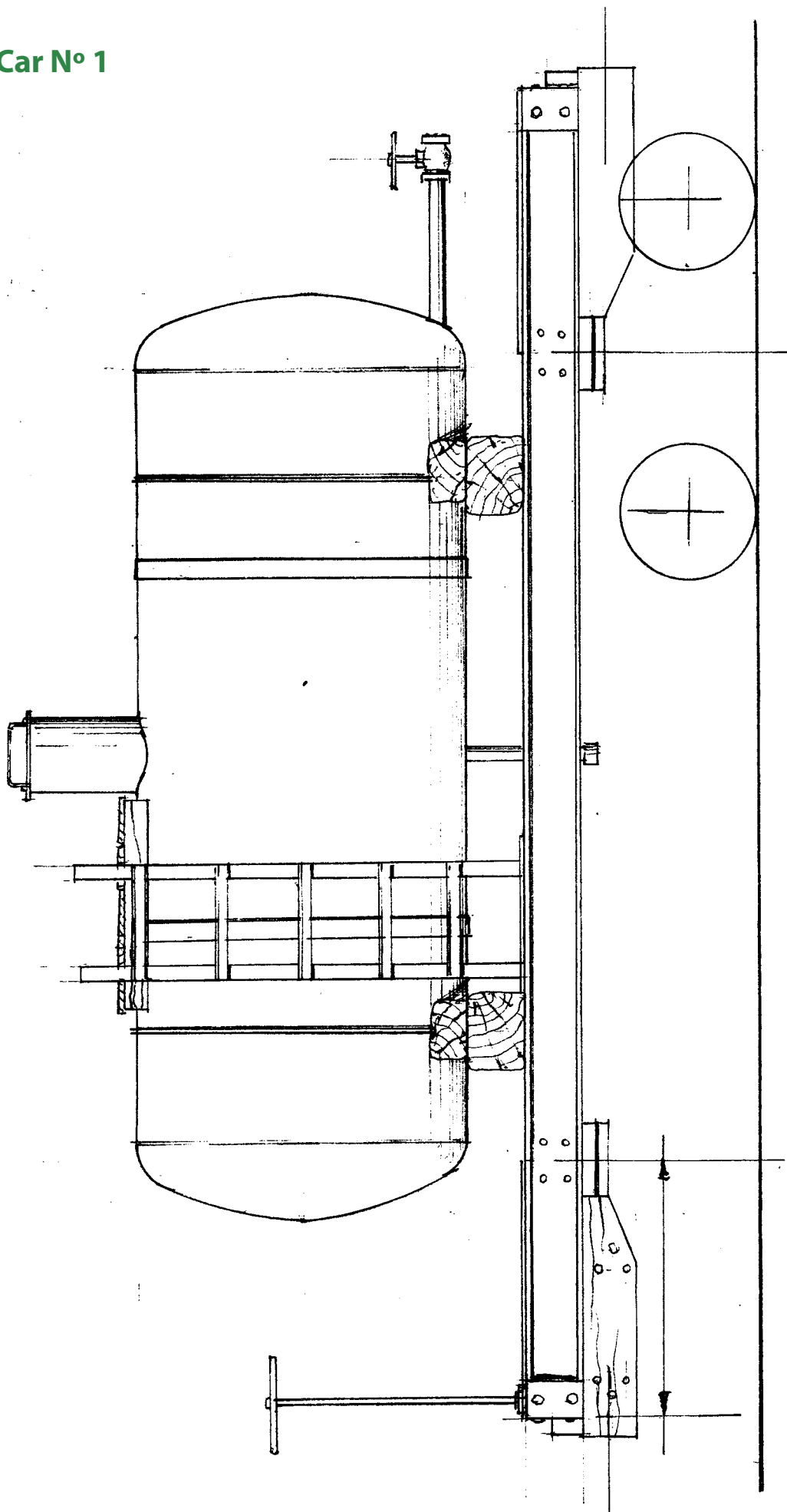
1:24 scale — 84.5%

1:22.5 scale — 90%

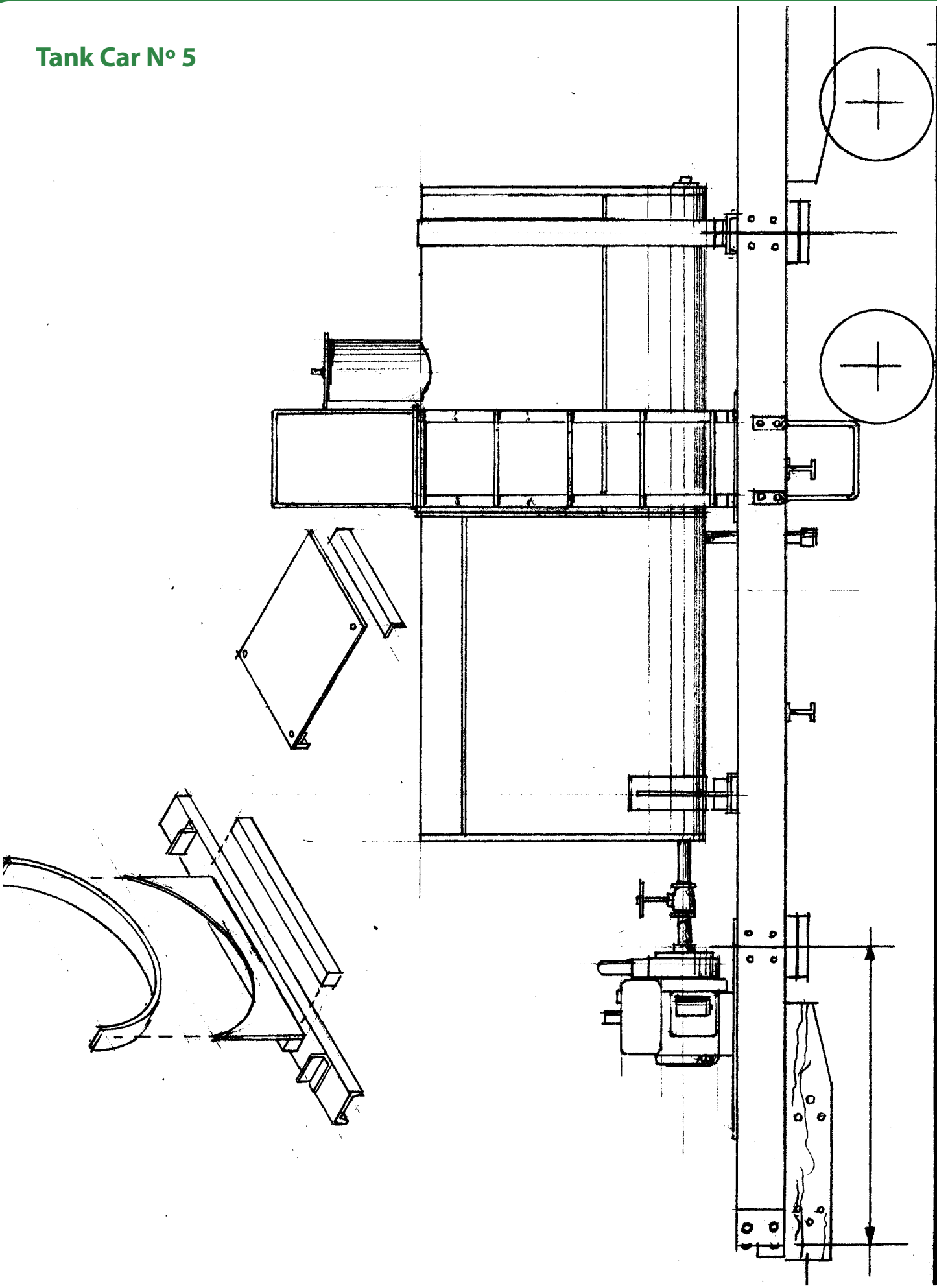
16mm scale (1:19) — 107%

7/8" scale (1:13.7) — 148%

Tank Car N° 1

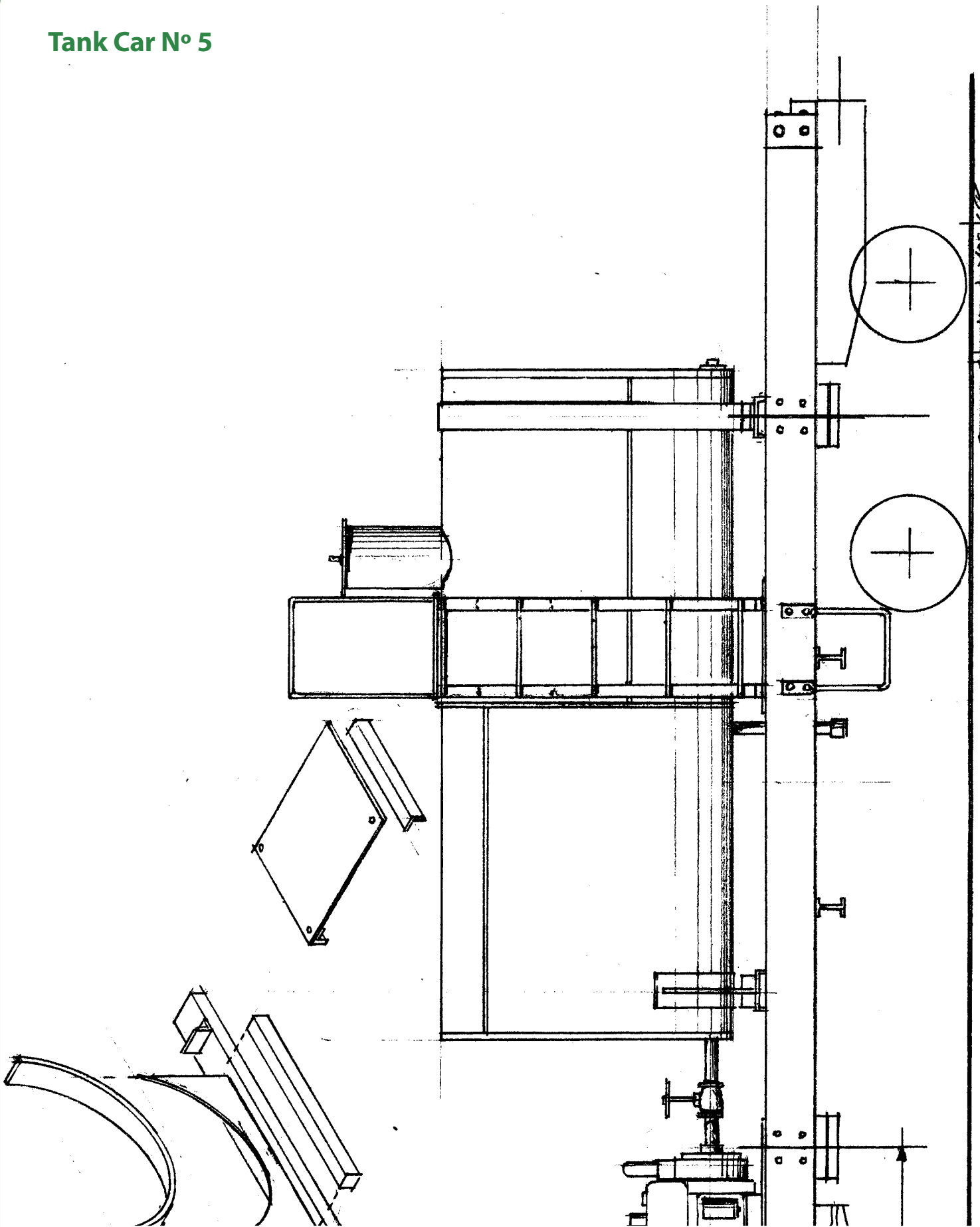


Tank Car N° 5



© 2016 THOMAS A. YORKE

Tank Car N° 5



© 2016 THOMAS A. YORSKE

Tank Car N° 5

